

Injection bezel for walls and ceilings

The injection bezel **art.no. 2911** makes it easier to seal the blow-in opening when blowing loose insulation material into walls, sloping roofs and ceilings that have been constructed with vapour barrier/air sealing membranes and battens.

Application: The injection bezel is simply inserted behind the battens. A (cutter) knife is used to make a cross cut in the middle of the foil respectively to cut a hole for the hose.

An adjustable stop rail prevents both pressing in and damaging the geomembrane when the hose is inserted through the rubber rosette into the orifice.

The flexible tear-resistant membrane \varnothing 30mm / 45mm (standard) / 68mm encloses blow-in hoses NW50-NW90 almost dust-tight.

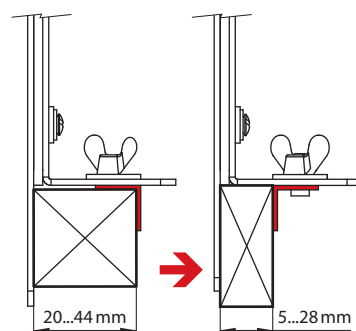
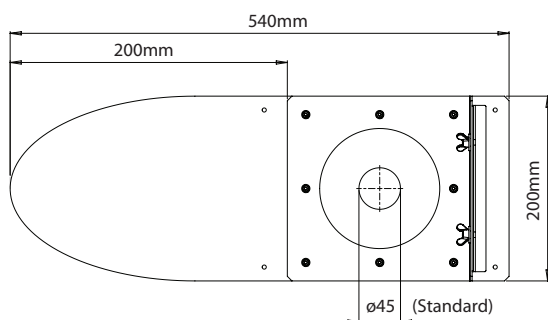
For seamless and particularly time-saving work, the use of two or more blow-in orifices is recommended.

The advantages/properties at a glance

- ▶ Low dust generation as well as protection of the construction
- ▶ Application allows quick change of blowing position
- ▶ Adjustable stop rail for lath thicknesses of 20-44mm (when the stop rail is turned upside down, the result is 5-28mm) prevents the sealing sheets from being pressed in and damaged



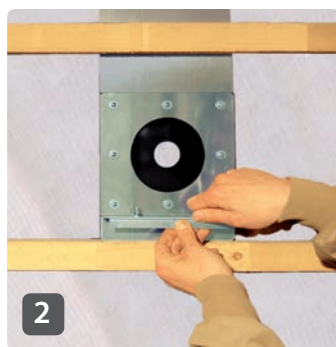
By turning the locking angle, the adjustment range for the cross lathing is extended. The injection bezel can thus be used flexibly with cross battens from 5 to 44mm.



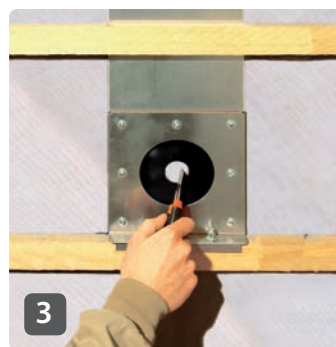
Application:



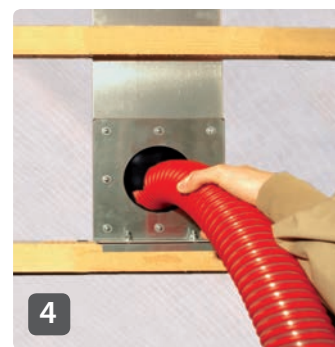
1 Hanging in the battens



2 Putting on the stop rail



3 Making the injection opening



4 Inserting the injection hose