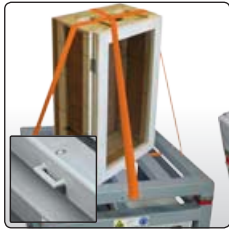


Impact Excitation Test Bench acc. to EN 15101-1: Testing Apparatus for Loose Insulation Materials



Including mounting links for tie-down of a testing element



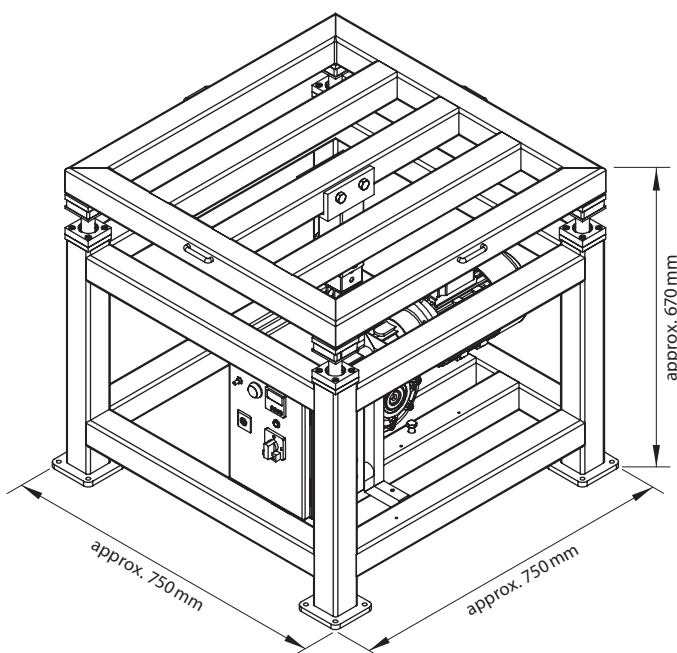
- ▶ **Settlement determinations of**
 - Bulk filling with insulation materials
 - Open blown cellulose insulation material
 - Dry injected cellulose insulation material
- ▶ **According to the standards of ISO/CD 18393 and EN 15101-1**
- ▶ **Compatible with testing basket (specimen box) 0.1 m³ (Prod. no. 315)**

Impact Excitation Test Bench finds out if any settlements arise under impact, especially for bulk fillings or open blown loose insulation materials like cellulose (LFCI). This testing apparatus corresponds to the guidelines of the standards ISO/CD 18393 and EN 15101-1.

The Impact Excitation Test Bench has a sturdy steel frame and is powder-coated. Four linear guide units ensure optimal guidance and a minimal lifting table drop resistance. The lift is adjustable to 6 positions, from 10 - 110 mm in 20 mm steps, and the cam speed is steplessly adjustable. Test cycles of 1 to 10,000 or more can be preselected. The test bench should be connected to a 230 V / 50 Hz power supply, with a power rating of approx. 0.8 kW.

The compact but robust square design can support a maximum load of up to approx. 60 kg. Testing frames such as the testing basket or test element can be easily clamped on using the four mounting links at the side of the bench.

Technical Data	
Dimensions (L×W×H)	approx. 750×750×670 mm
Surface	Powder-coated RAL7035 (light grey)
Adjustable lift	10...110 mm
Lift levels	6 each 20 mm
Lifting speed	0.2 Hz...1.5 Hz
Test cycles	1... > 1000
Max. load	40 kg
Power rating	approx. 0.75 kW
Power supply	230 V / 50 Hz
Unladen weight	approx. 110 kg
Prod. no.	4179



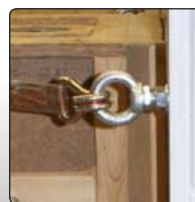
Accessories

Image	Description	Prod. no.
	Testing basket (specimen box) for loose insulation materials, V=0.1 m ³ , drilling hose Ø 90 mm	315
	Test element 0.1 m ³ for dry injection, injection hole up to Ø 90 mm hose	3946
	Bent-lever balance for testing basket (22kg) with tape rule	5983
	Digital scale for testing basket (40 kg)	4544
	Thickness gauges • Cellulose acc. to EN 15101-2 • Mineral wool (80g) acc. to EN 14064-2	1831 4932

Vibration Test Bench acc. to EN 15101-1 Testing Apparatus for Dry Injected Insulation Materials



- ▶ **Settlement determinations of**
 - Dry injected cellulose insulation materials (LFCI) and other blowing insulation materials
 - Blowing insulation in walls, roofs and roof pitches
- ▶ **According to the standard of EN 15101-1**
- ▶ **Compatible test element (specimen box) 0.345/0.144 m³ on request**



Four sturdy tie-down rings make the fixation of your test element possible

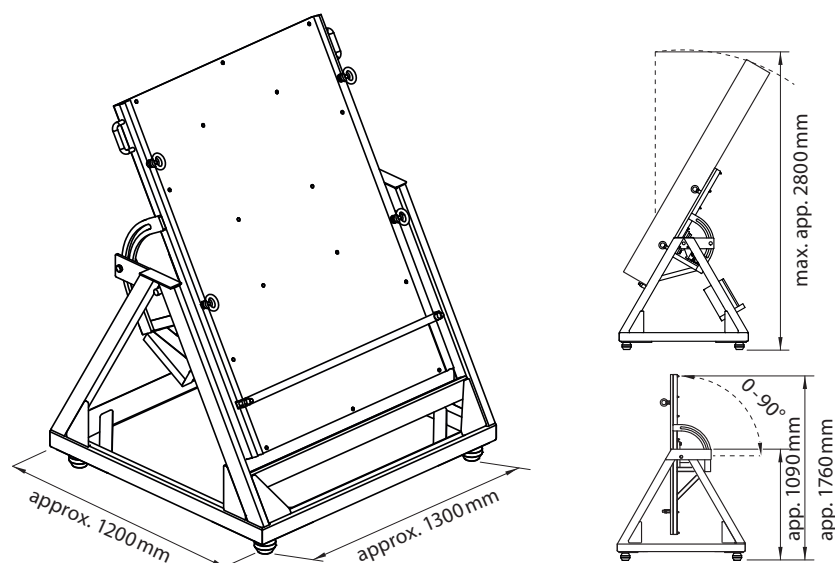
The Vibration Test Bench finds out if any settlements arise under vibrations. Thermal insulations of walls, roofs and roof pitches which have been blown-in with cellulose fibre or other insulation blowing materials can be checked. This testing device corresponds to the guidelines of standard EN 15101-1.

The Vibration Test Bench has a sturdy steel frame and a powder-coated surface. The locating plate can be tilt over continuous from 0° to 90°. Consequently the settlement of thermal insulations in walls, roofs and roof pitches can be checked. A precise adjustment of the incline is possible with the angular arc gauge.

Vibrations up to 5220 Hz can be regulated. This makes tests possible which are more difficult than the most demanding realistic conditions. The device is dimensioned for lifelike specimen boxes. The particular test element can be fixed with lashing straps on the locating plate. A g stand fixes the test element in the vertical axis.

This testing apparatus has been developed in a long lasting collaboration with the Ludwig Maximilians University Munich.

Technical Data	
Dimensions (L x W x H ₁ /H ₂)	approx. 1200 x 1300 x 1090/1760 mm
Specimen box (W max./H max.)	1000/3000 mm
Surface	Powder-coated RAL7035 (light grey)
Swivel range	0 - 90°
Frequency max.	87 Hz
Vibrations max.	5220 Hz
Power rating	approx. 0.9 kW
Power supply	230 V / 50 Hz
Unladen weight	approx. 270 kg
Prod. no.	6342



Accessories

Images	Description	Prod. no.
	Test element (specimen box) 0.345/0.144 m ³	On request
	Test element 0.1 m ³ for dry injection, injection holes up to Ø 90 mm	3946
	Density test set NW100: Checks of installation density of blow-in thermal insulation	3770