

# EMX90 Insulation Blowing Machine

## Ideal for Lightweight Bulk Material



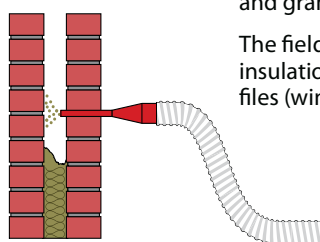
www.x-floc.com



- ▶ Venturi principle without airlock
- ▶ Mobile and compact design
- ▶ High-powered radial compressor
- ▶ Precise adjustment with multiple valves
- ▶ Easy-to-wash filter
- ▶ Little maintenance effort
- ▶ Many application fields

The EMX90 insulation blowing machine is made for the processing of lightweight bulk material and granules.

The field of application is located in cavity wall insulation and the insulation of small tight profiles (window construction).



### Technical data

Hopper	approx. 125 L
Dimensions (L x W x H)	approx. 520 x 520 x 1180 mm
Filling height	approx. 1130 mm
Outlet	NW32 / 1 1/4"
Power rating	approx. 1,5 kW
Machine control	On/off switch or with optional control unit (Prod. no. 6250) remote control
Air flow volume (max.)	220 m <sup>3</sup> /h
Conveying height (max.)	15 m
Unladen weight	approx. 48 kg
Air feed unit	High-powered centrifugal fan
Material processing speed	1000 kg/h (EPS granules)
Conveying pressure	330 mbar
Power supply	230V / 50 Hz / 10-16 A / PE or 110V / 50 Hz / 15 A / PE



Scope of delivery:

- ▶ Insulation blowing machine on four 4 rolls with folding closing lid
- ▶ Switch with ON/OFF function
- ▶ Operating manual
- ▶ Line adapter 230 V (L = 10 m)

Prod. no.: 5966

Compatible remote controls:

- ▶ KFB3 - cable control (Prod. no.3821)
- ▶ KFB30 - cable control (Prod. no. 2459)
- ▶ KFB30: Extension cable L = 50 m on reel (Prod. no. 5966)
- ▶ FFB500 - Remote control bidirectional (Prod. no. 6708)



Transport

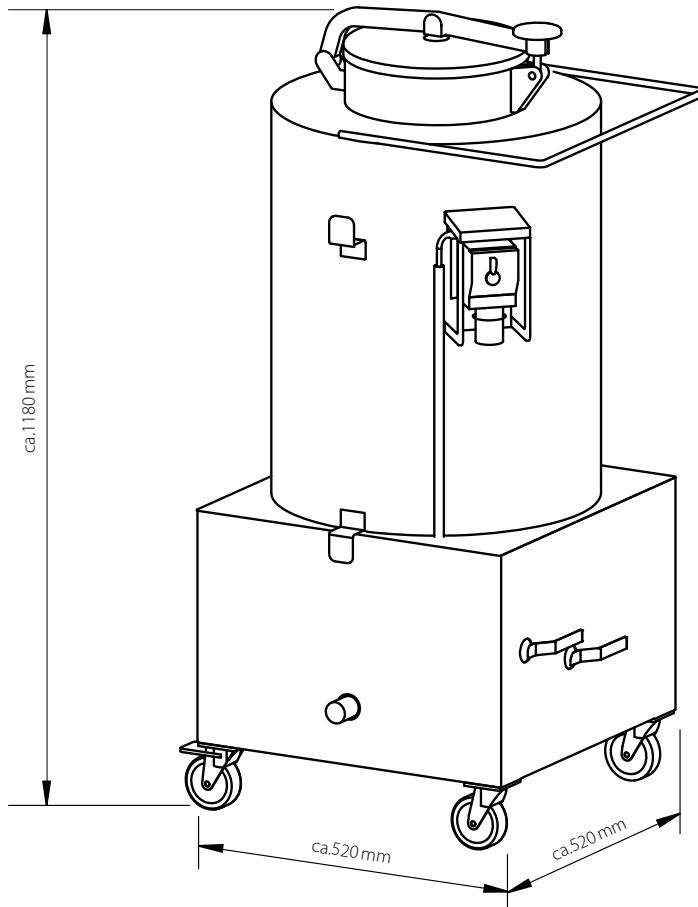


Filling



Blowing injection

## Dimensions



## Function principle

