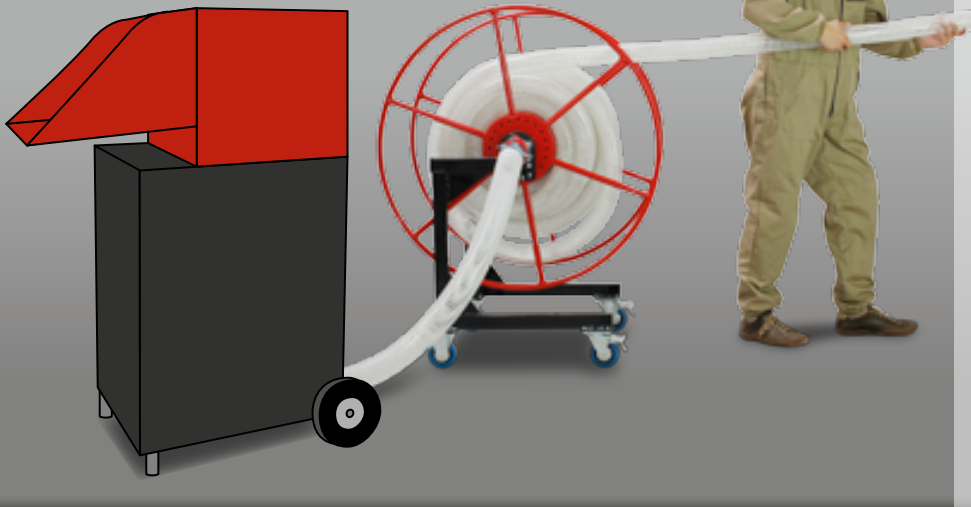


# D1000 hose reel

Greater working comfort with an integrated hose stand.



www.x-floc.com



- Reduced setup times
- Quick and tidy storage
- Large storage capacity
- Reel-lock function
- Suitable for mobile use, or alternatively can be fixed to the floor or wall-mounted.

Flexible and space-saving, the powder-coated steel frame and ball bearing-supported reel is ideal for winding up and unwinding your hoses.

A locking device ensures that your hoses do not unwind when being stored. Note: the capacity of the hose reel depends upon the hose type used (see table).

With an integrated hose stand your hoses are ready for use with minimal set-up times, and are quickly and easily tidied away ready for the next job.

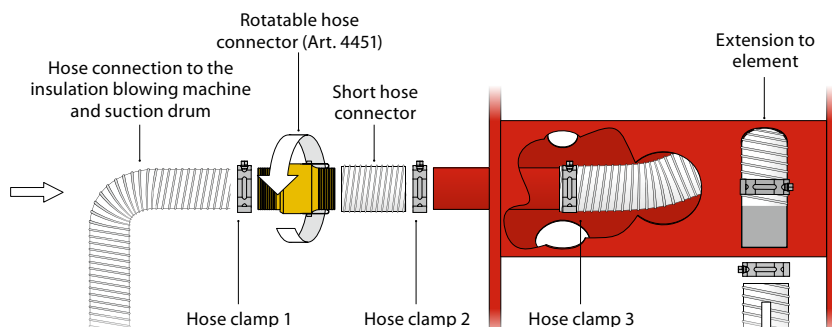
The rotatable hose connector allows full use of the hose reel and enables the insulation-blowing team to achieve optimal site efficiency.



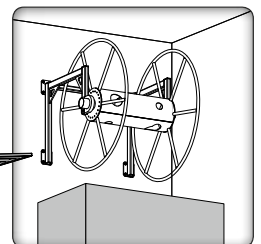
The reel can be stopped from unwinding with the built-in locking system.



Frame can be ordered with swivel/fixed castors if desired.

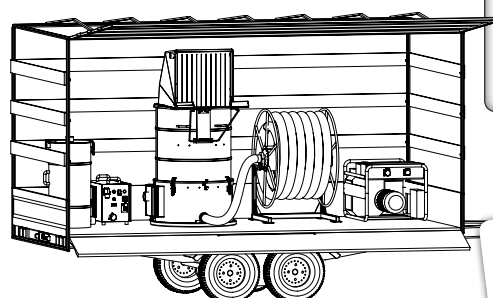


Examples of wall-mounted reels and floor-fixed reels



The hose reel can be fitted easily inside construction site vehicles, on trailers, or at the warehouse. Regardless of their function, with the hose reel your hoses are always ready for use and stored properly in the right place. Setup times can also be reduced to a minimum.

The hose reel can be fitted with castors for increased mobility.



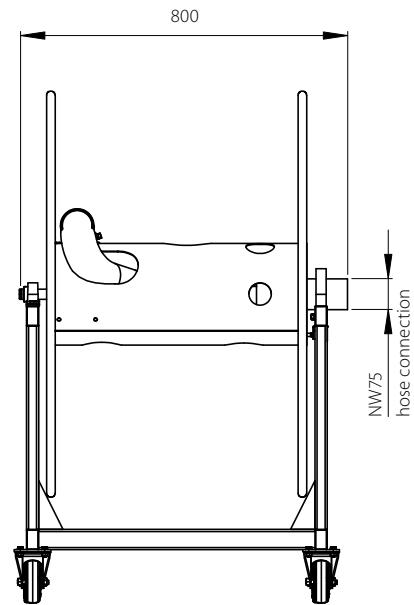
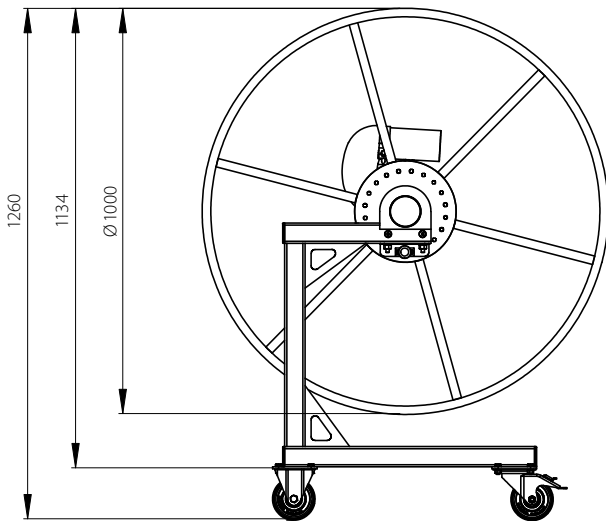
Demo videos on:  
[www.x-floc.com/videos](http://www.x-floc.com/videos)

# D1000 hose reel

## Dimensions, components and capacity.



www.x-floc.com



### Hose reel capacity

Type	Hose size	Approx. hose length (m)
Blow-in hose	NW50	110m
Conveyer hose	NW50	130m
Blow-in hose	NW63	70m
Conveyer hose	NW63	90m
Blow-in hose	NW75	45m
Conveyer hose	NW75	60m

### Order data

Picture	Description	No.
	<b>D1000 hose reel:</b> Hose connection through the side of the reel NW75 (3"), powder-coated steel with locking system, (fixed/swivel castors not included)	542
	<b>Heavy duty fixed castors</b>	4766
	<b>Heavy duty swivel castors</b>	4767
	<b>NW75 aluminium rotatable hose connector:</b> rotatable hose connector for twist-free hose connection.	4451



Demo videos on:  
[www.x-floc.com/videos](http://www.x-floc.com/videos)