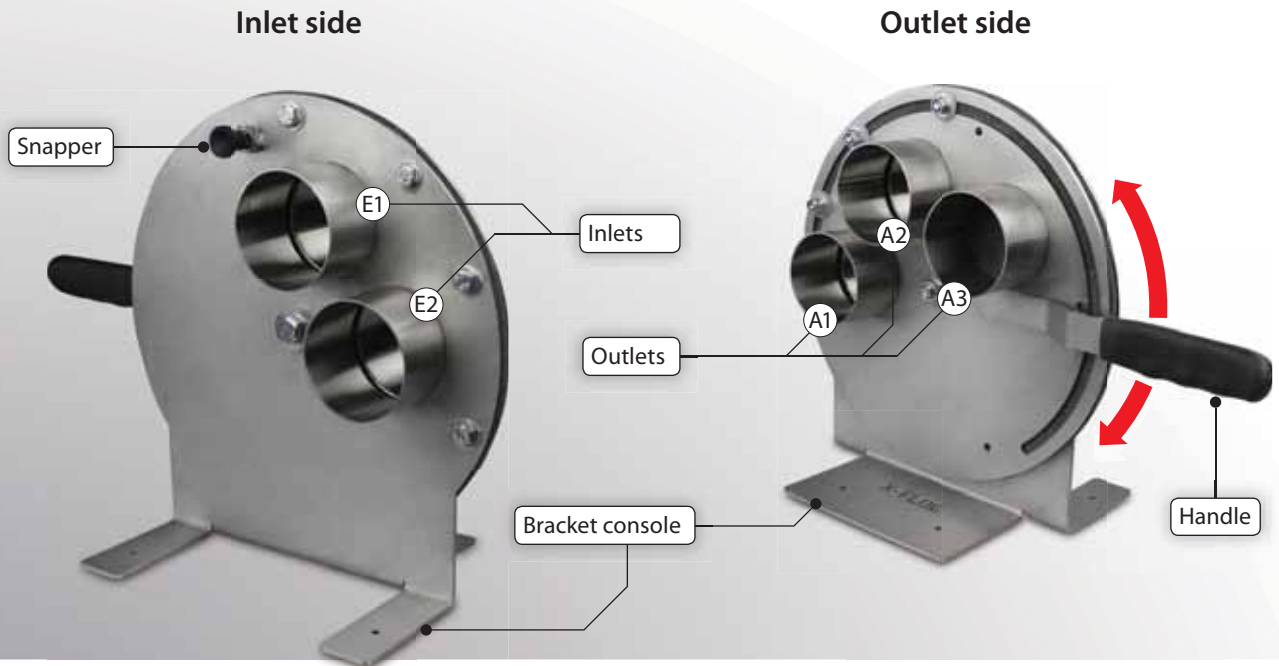




Revolver fibre switch NW75 (3") / NW90 (3½")

Tubing (multiple hoses) or switching between blow-in mode and suction mode





Revolver fibre switch NW75 (3") / NW90 (3½")

Tubeing (multiple hoses) or switching between blow-in mode and suction mode

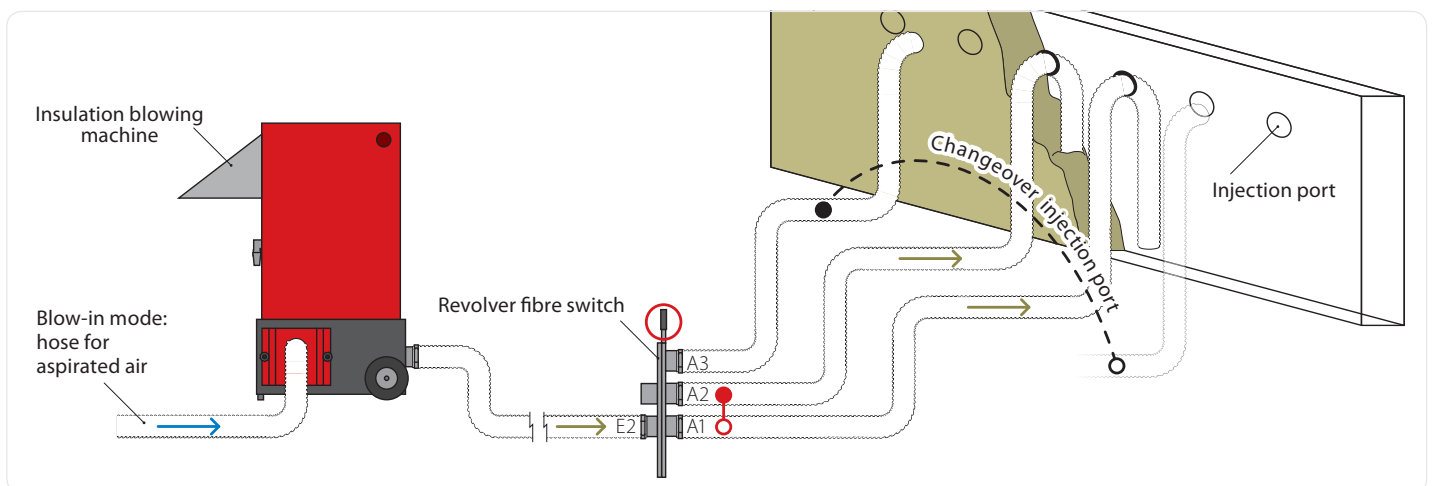
Fibre switches enable serial working through several-prepared injection lines. SBy using a fibre switch it is no problem to change quickly between blowing mode with a blow-in machine or suction mode with an amplifier/suction station with suction drum. Revolver fibre switches made by X-Floc are equipped with three outlets. This facilitates efficient preparation of multiple injection ports as well as the fast blow-in of multiple fields. The switches seal very well and they are easily adjustable.

Additionally they also enable an easy switching between blow-in mode and suction mode. Within suction mode it is also possible to suck blockages from the conveying lines. The fibre switch also may be pre-installed into transport vehicles or X-Floc insulation blowing mobiles, there it enables just one touch changeovers.

Applications:

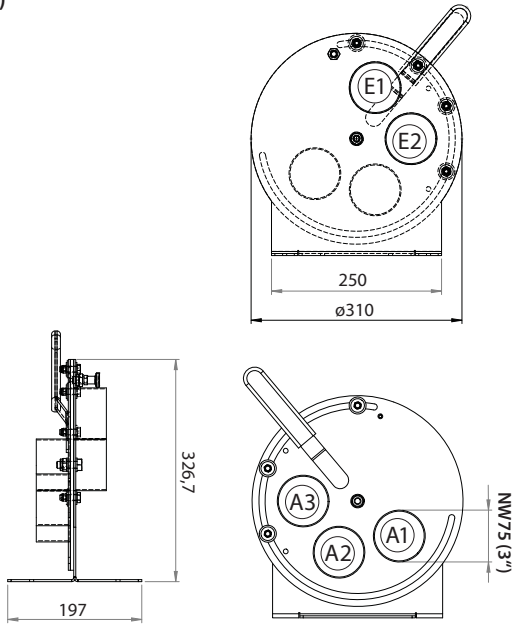
- ▶ Easy to operate, good to adjust and to redirect the material flow with help of handle and snapper
- ▶ Elements can be filled in without interruption
- ▶ Quick and easy switching between blow-in mode and suction mode
- ▶ Switchover option at wide compartments which are loaded with two to three hoses
- ▶ Switchover possibility between up to three fix installed hoses respectively tubes

Connection diagram: Tubeing (multiple hoses) and switching between these hose lines

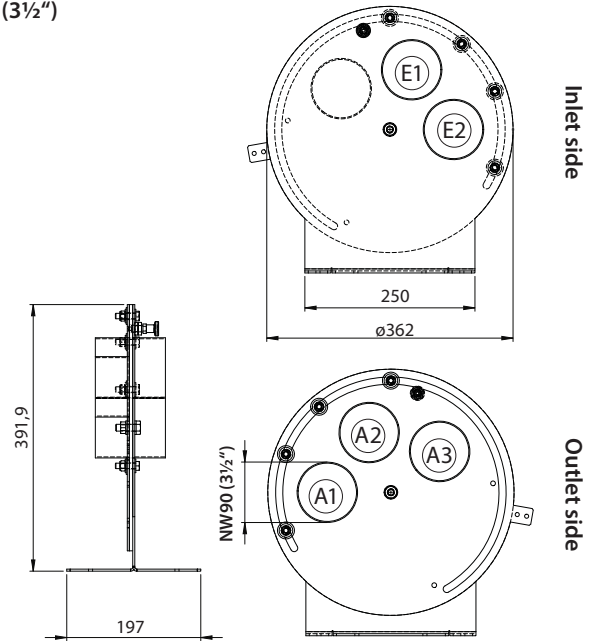


Dimensions

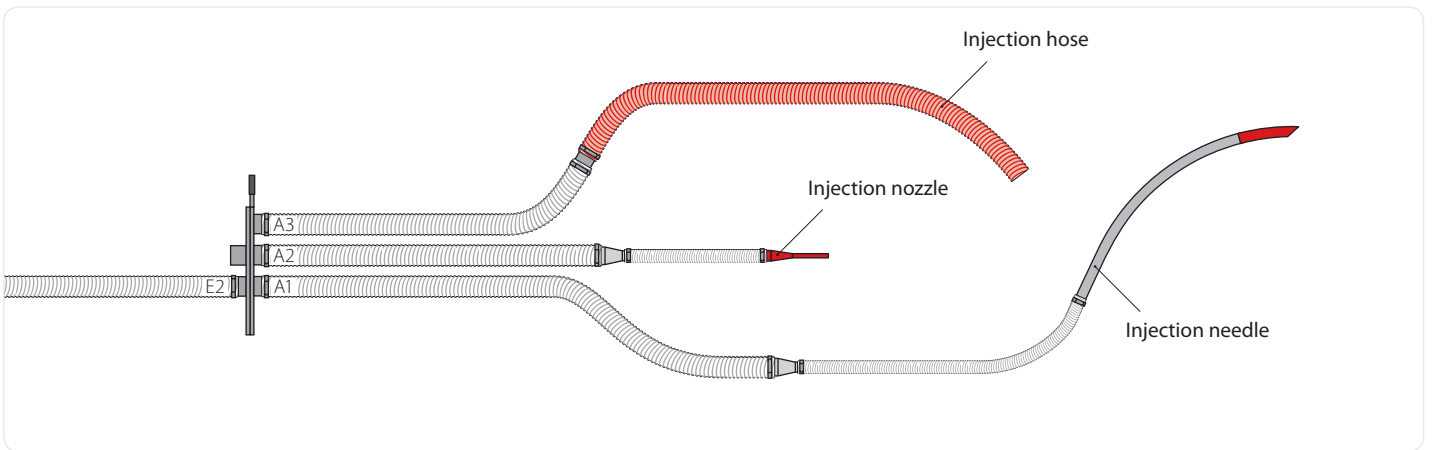
Revolver fibre switch
NW75 (3")



Revolver fibre switch
NW90 (3½")



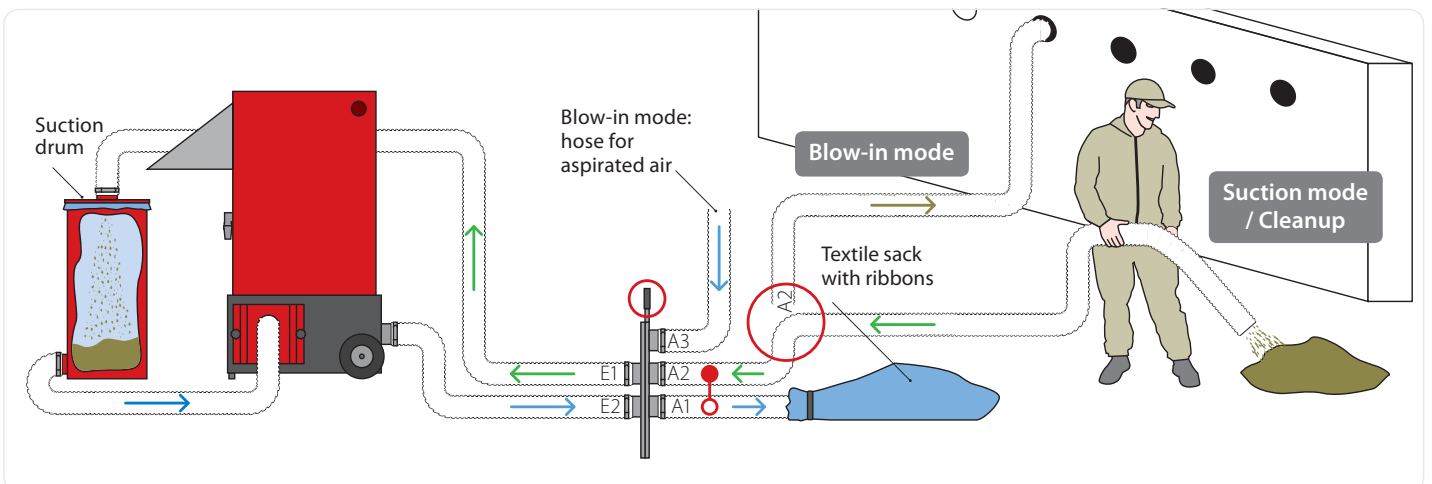
Connection diagram: Flexible changeover between up to three injection tools



Connection diagram: Switching between blow-in mode and suction mode

Legend:

- Air flow
- Material flow: blow-in
- ← Material flow: suction



Technical data

Revolver fibre switch	NW75 (3")	NW90 (3½")
Type	2 > 3 NW75	2 > 3 NW90
Inlet	2 x NW75	2 x NW90
Outlet	3 x NW75	3 x NW90
Weight	approx. 4,6 kg	approx. 4,6 kg
Supporting/mounting device	bracket console	bracket console
ID no.	6058	9414

X-Floc Dämmtechnik-Maschinen GmbH
Rosine-Starz-Straße 12 · 71272 Renningen
Germany
Telefon + 49 (0) 7159 - 80470 - 30 · Fax -40
eMail: info@x-floc.com · www.x-floc.com

Your X-Floc representative