

Test Elements for Checks, Tests and Demonstrations

Reliable Dry Injection, Open-Blowing and Cavity Wall Insulation.



www.x-floc.com

0.1 m³ Test Element

- ▶ Dry injection with hose through the injection rosette (vertical/ diagonal/ horizontal).
- ▶ Dry injection with ventilated rotary nozzle through a drill hole on the back of the element (vertical/diagonal).
- ▶ Open blowing (horizontal)
- ▶ Damp spray (vertical/horizontal)
- ▶ Material settlement testing, thickness measuring, density testing and weighing
- ▶ Removable plexiglas door

* Drill holes must be made after purchase, for example with the cylinder saw (Ø = 106.5).



Dry injection with hose



Dry injection with ventilated rotary nozzle



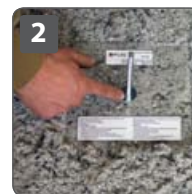
Opening the test element to examine the filling results.



Testing the density of the filled test element with the NW100 density testing set.

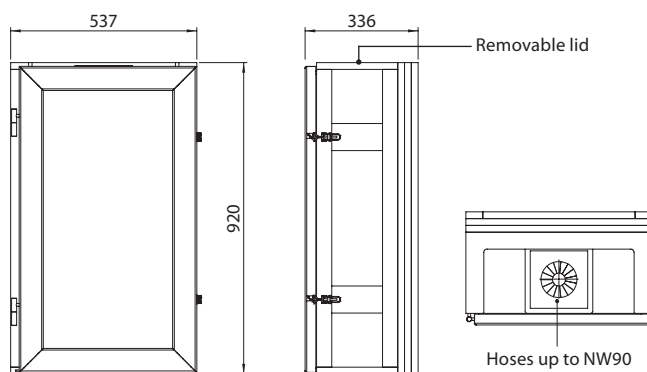


Open blowing with hose



Testing the thickness of open blown insulation with the thickness gauge.

Image	Description	Prod. no.
	Hole saw with core ejection system, Ø = 106.5 mm	4966
	Thickness gauge / test panel	1831
	NW100 density testing set with case, mains adaptor and hole saw	4349
	NW63/NW75 sealing sponge	292



Technical Data

Product no. 3946

Test volume: 0.1 m³

W × D × H = 537 × 336 × 920 mm

Weight: approx. 26 kg



With its removable lid, the test element can be easily emptied.

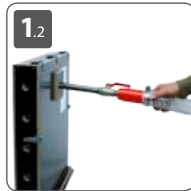
Demo-Videos:
www.x-floc.com/videos

0.0175 m³ Test Element

- ▶ Test element for testing the installation density for blown-in mineral fibre cavity wall insulation according to EN 14064-2, annex C.
- ▶ Removable front panel for checking the installed insulation
- ▶ Practical locking device for quick emptying
- ▶ Increased stability thanks to an enlarged base.
- ▶ Handle for easy transport and handling.
- ▶ Robust multiplex material and reinforced metal rear wall opposite the injection hole.



Injection nozzle






Injection nozzle with ball valve

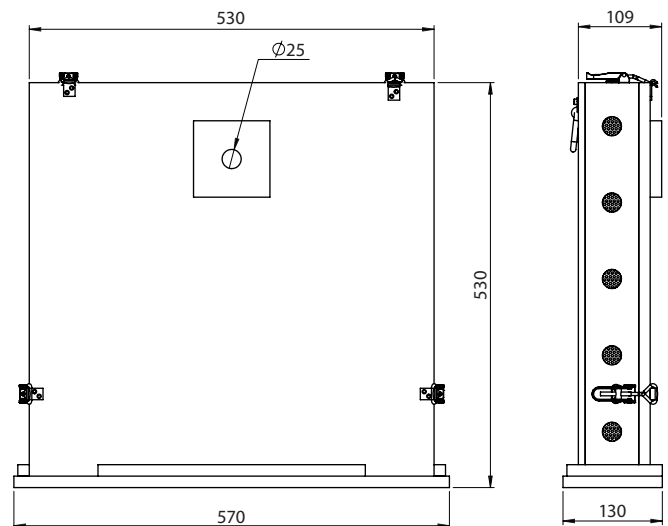


Opening the test element and inspecting the filling results.



Quality control with the digital scales

Image	Description	Prod. no.
	NW50>24 injection nozzle	3961
	NW50>24 injection nozzle with ball valve	5692
	Digital scales for the testing basket	4544



Technical Data

Product no. 5697

Test volume: 0.0175 m³

W × D × H = 570 × 130 × 530 mm

Weight: approx. 8 kg

Demo-Videos:
www.x-floc.com/videos