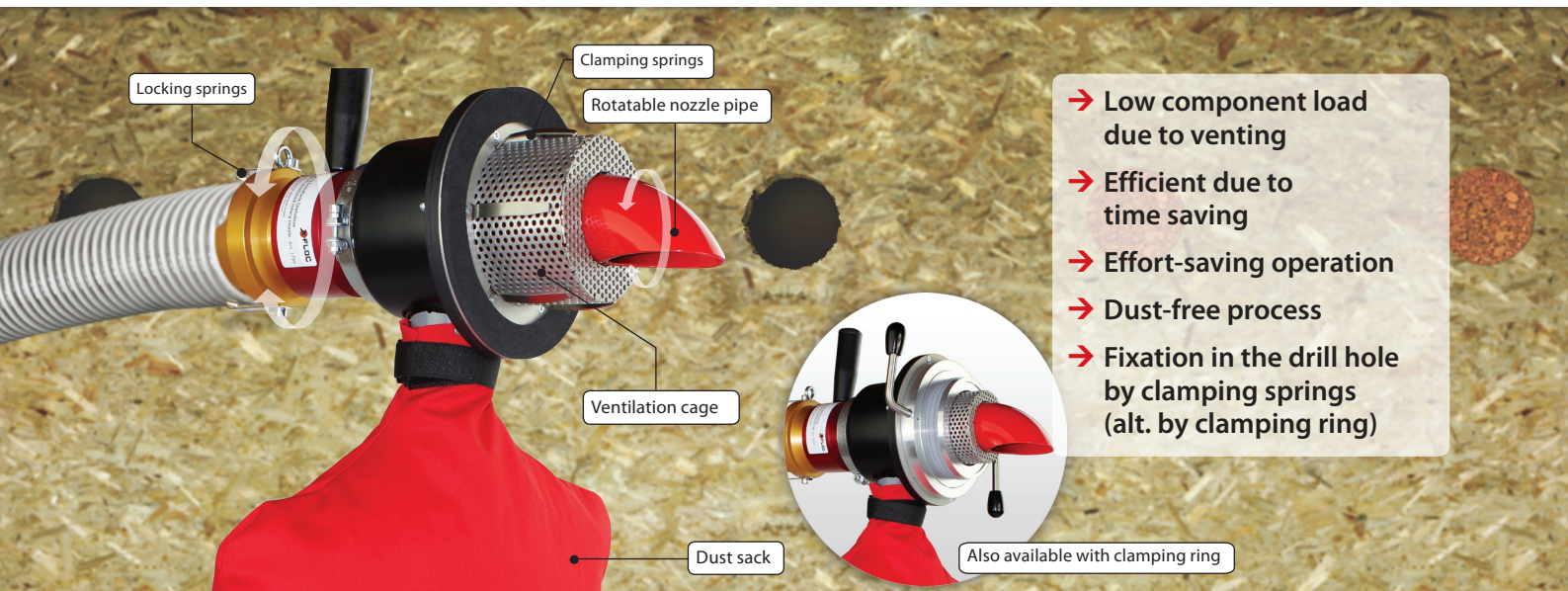


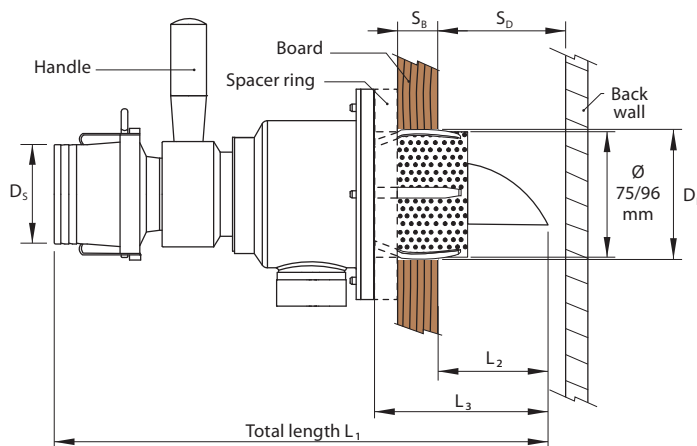
X-Jet: Dust-free Injection

Ventilated Rotary Nozzle with Clamping Springs or Clamping Ring



- ➔ Low component load due to venting
- ➔ Efficient due to time saving
- ➔ Effort-saving operation
- ➔ Dust-free process
- ➔ Fixation in the drill hole by clamping springs (alt. by clamping ring)

Vented rotary nozzles can fill stud wall constructions with insulation material and discharge excess air in a controlled manner. The insulation material flowing with the blown-in air is accelerated as it enters the rotary nozzle and is then introduced via a nozzle pipe parallel to the plane of the compartment. Once at the upper end, the installer turns the nozzle pipe via the handle to the correct corner of the cavity. The excess air is vented through the perforated plate cage into the dust sack. This reduces dust generation during blowing to a minimum.



Technical data

	X-Jet 63 standard	X-Jet 63 clamping ring	X-Jet 75 standard
Nozzle outlet	angled	angled	angled
Passive ventilation	✓	✓	✓
Active ventilation	✓	✓	✓
Insulation thickness [S _D]	55...300 mm	75...200 mm	85...400 mm
Board thickness [S _B]	≤ 50 mm	15...35 mm	≤ 50 mm
Length L ₁	333 mm	333 mm	371 mm
Length L ₂ L ₃ - S _B	L ₃ = 98 mm Example L ₂ = 98 - 19 mm L ₂ = 79 mm → S _D ≥ 84 mm	L ₃ = 82 mm Example L ₂ = 82 - 19 mm L ₂ = 63 mm → S _D ≥ 71 mm	L ₃ = 126 mm Example L ₂ = 126 - 19 mm L ₂ = 107 mm → S _D ≥ 112 mm
Length L ₃	98 mm	82 mm	126 mm
Hose Ø [D _S]	63 mm (2½")	63 mm (2½")	75 mm (3")
Drill hole Ø [D _R]	85...87 mm	106,5 mm	106,5...107,5 mm
Prod.no.	1708	3843	1789

Accessories

	Description	Prod.no.
	Hole saw Ø 85,5 mm/106,5 mm available with ejection system; HSS/SDS	4977/4966
	Pro hole saw Ø 85 mm/106,5 mm	6182/1733
	Hole saw HF Ø 106,5 mm wood fibre panel	5917
	Sealing cork 85 mm/106 mm cone-shaped cork	2208/1948
	Sealing plug 85 mm/106 mm wood fibre	4675/4673
	Clamping ring 106,5 mm rotary nozzle X-Jet 63	2223
	Spacer ring 10/15/25 mm	4372/4374/4373

