

Hoses and connectors

For trouble-free insulation transport and optimum support



Hoses and connectors

- ▶ Conveyor and injection hoses
- ▶ Hose reels and sets
- ▶ Connecting elements
- ▶ Fibre switches and cascades



X-Floc Conveyor and injection hoses

Injection hoses

Hoses and connections are essential components of blow-in equipment. When blowing in loose insulation materials, a distinction is made between injection and conveying hoses.

Injection hoses are made of low-wear and durable polyethylene (PE). They are used for injection and extraction and are available in two different stiffness classes:

Red injection hoses are slightly stiffer than blue injection hoses (see table). Both variants are equally suitable for insertion into compartments. Due to their bending properties, they allow good guidance in the compartment and can be moved over obstacles. The static charge, caused by the friction of the insulation material in the hose, is also low with both variants. Thanks to the corrugated design of the hose, the insulation material is loosened up on the inside wall, thus increasing its yield.

The application areas of the blue and red injection hoses are the same, but the hoses differ in the degree of hardness. The blue hose is softer, which makes it easier to install at shallow cavity depths, and the blue hose is also easier to handle at low temperatures on the construction site.



Ordering information

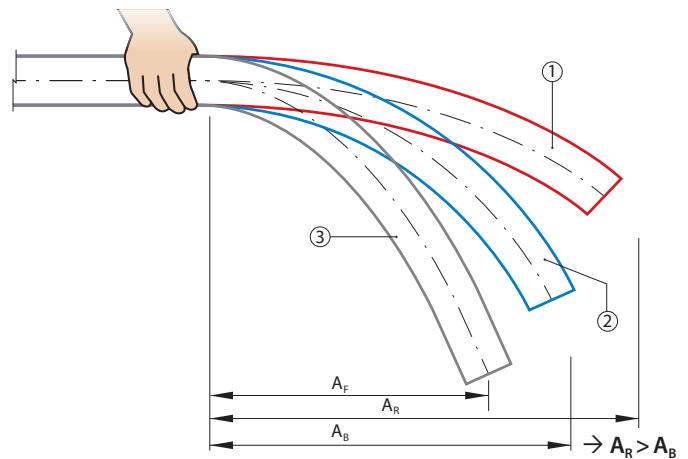
Injection hose red (standard)

Nominal width	ø Hose	ø Drill hole	Bending radius	Length	Art.no.
NW38 (1½")	38mm	≥50mm	38mm	15m	777
NW50(2")	50mm	≥65mm	50mm	15m	167
NW63 (2½")	63mm	≥85mm	63mm	15m	166
NW63 (2½")	63mm	≥85mm	63mm	20m	5238
NW75 (3")	75mm	≥106,5mm	75mm	15m	074
NW75 (3")	75mm	≥106,5mm	75mm	20m	4777
NW90 (3½")	90mm	≥108mm	90mm	15m	1169

Injection hose blue (soft)

Nominal width	ø Hose	ø Drill hole	Bending radius	Length	Art.no.
NW63 (2½")	63mm	≥85mm	100mm	15m	4779
NW63(2½")	63mm	≥85mm	100mm	20m	4774
NW75 (3")	75mm	≥106,5mm	120mm	15m	5239
NW75 (3")	75mm	≥106,5mm	1220mm	20m	5237

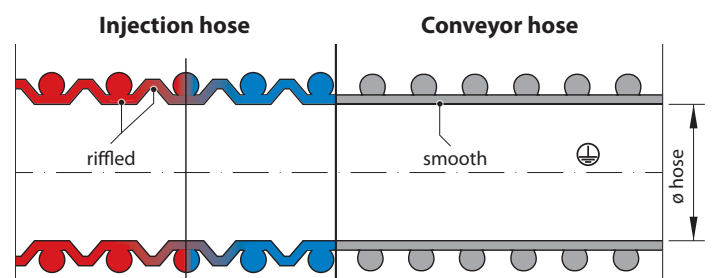
Comparison of injection and conveyor hoses



A_F = Bending radius conveyor hose (3)

A_R = Bending radius injection hose red(1)

A_B = Bending radius injection hose blue (2)



Conveyor hoses

In contrast to injection hoses, conveyor hoses are used almost exclusively for transporting insulation material. In general, they are used to bridge the distance between the insulation blow-in machine and the processing site. In individual cases, however, they can also be used in the cavity.

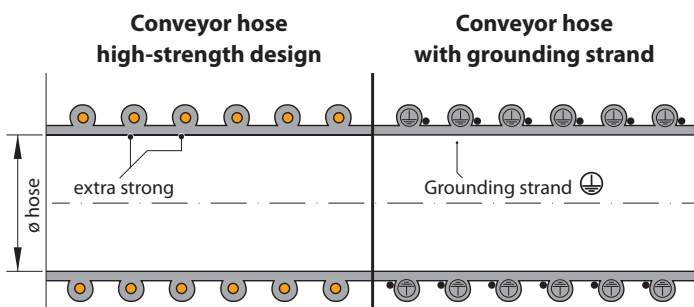
Conveying hoses are comparatively soft and have a smooth inner wall, which guarantees low friction losses during insulation conveying. Because they are made of (PUR) and due to the PVC spiral coil, these hoses are very durable and equally flexible.

Optionally, the conveyor hose can be supplied with copper strands and can then be earthed against electrostatic charging.

Conveyor hoses are also optionally available in an extra strong version. These hoses are equipped with a thick wall and have a steel spiral. They are mainly used in the processing of abrasive insulation materials because they wear out much more slowly than the conventional injection and conveyor hoses.



Ordering information



Conveyor hose

Nominal width	ø Hose	ø Drill hole	Bending radius	Length	Art.no.
NW25 (1")	25mm	≥30mm	25mm	20m	704
NW38 (1½")	38mm	≥50mm	38mm	20m	414
NW50 (2")	50mm	≥65mm	50mm	20m	329
NW63 (2½")	63mm	≥85mm	63mm	20m	573
NW75 (3")	75mm	≥106,5mm	75mm	20m	284
NW90 (3½")	90mm	≥108mm	90mm	20m	422
NW102 (4")	90mm	≥120mm	102mm	20m	8878

Conveyor hose (extra strong version)

Nominal width	ø Hose	ø Drill hole	Bending radius	Length	Art.no.
NW38 (1½")	38mm	≥50mm	38mm	20m	3822
NW50 (2")	50mm	≥65mm	50mm	20m	1061
NW63 (2½")	63mm	≥85mm	63mm	20m	1001
NW75 (3")	75mm	≥106,5mm	75mm	20m	1722

Conveyor hose (with copper stranded wire for grounding)

Nominal width	ø Hose	ø Drill hole	Bending radius	Length	Art.no.
NW38 (1½")	38mm	≥50mm	38mm	20m	3818
NW50 (2")	50mm	≥65mm	50mm	20m	3817
NW63 (2½")	63mm	≥85mm	63mm	20m	3816
NW75 (3")	75mm	≥106,5mm	75mm	20m	3815

Tensioning straps with clamp lock and additional carrying loop (Art.no. 1954) are included in the scope of delivery for all injection and conveyor hoses.

X-Floc hose reels and sets

Hose reel D1000 plus

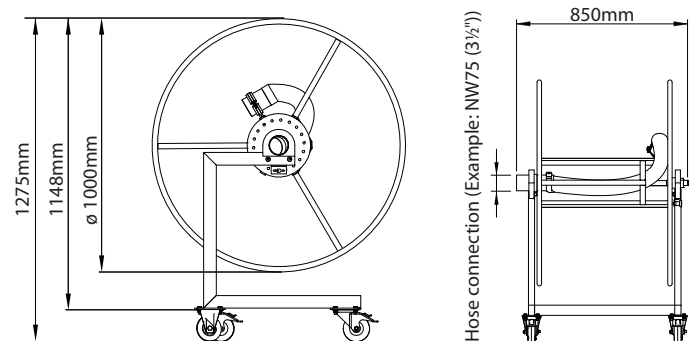
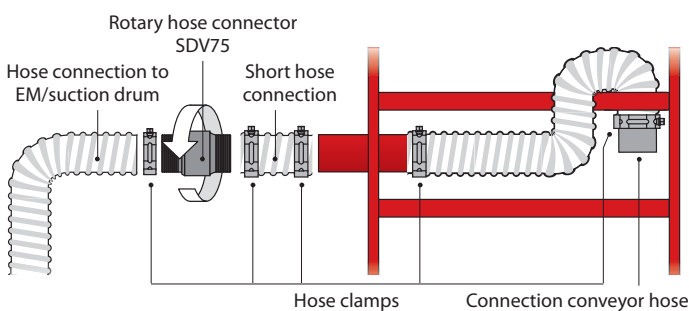
The D1000 plus hose reel is used for neat and space-saving storage of conveyor and injection hoses. The hoses can be effortlessly and cleanly rolled onto the reel and unrolled again just as easily. A lockable twist lock (locking pin) prevents the hose from unrolling uncontrollably.

The capacity is depending on the type and diameter of hose:

Type of hose	Diameter	Reel length*
Injection/conveyor hose	NW50 (2")	approx. 110m/130m
Injection/conveyor hose	NW63 (2½")	approx. 70m/90m
Injection/conveyor hose	NW75 (3")	approx. 60m/60m
Injection/conveyor hose	NW90 (3½")	approx. 50m/50m

* Reel length = total length of hoses incl. connectors

The D1000 plus hose reel is versatile. For example, it can be mounted on a construction site vehicle, a trailer or placed in the production hall. The reel is part of the standard equipment of the X-Floc blow-in mobile. With the reel, the hoses are always neatly stowed away and always ready for use: simply unroll them and start the injection process. The hose reel can be mounted mirror-inverted. This means it can be flexibly adapted to the application situation and so continuously ensures a considerable reduction in set-up times. The hose reel is made of high-quality steel, powder-coated and equipped with plain bearings. The frame is light and can be fixed to the wall and floor or optionally supplemented with swivel or fixed castors. The castors increase the mobility of the reel.



Hose and connection sets

Regarding hose assemblies, each blow-in method has its own requirements. Insulation blow-in machines have different outlet sizes and when using an amplifier/extraction station, short hose sections as well as a Y-connector and a control line may be required. Needs-based complete hose sets for the respective machine types and blow-in methods are available.



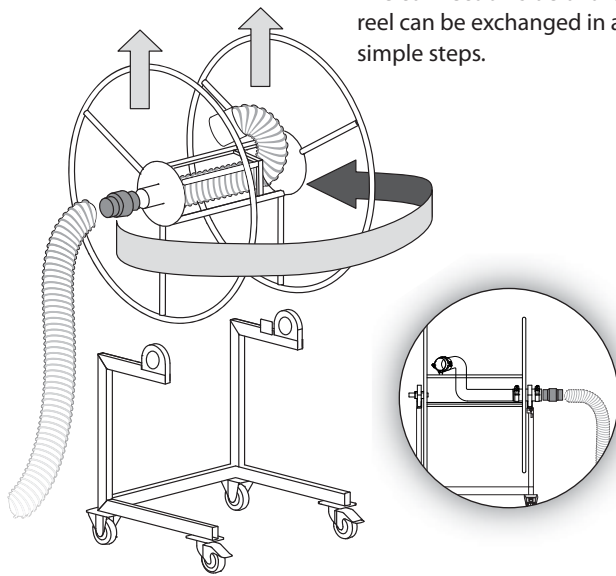
Open/Attic blowing



Cavity wall insulation with blow-in nozzle



Mirror-inverted assembly:
The connection side of the hose reel can be exchanged in a few simple steps.



Ordering information

Designation	Art.no.
Hose reel NW90 - D1000 plus	11948
Hose reel D1000 plus	NW75*
Sviwel castor of sheet steel in reinforced version	4766
Fixed castor of sheet steel in reinforced version	4767
Rotary hose connector SDV75 (3½")	4451

*Standard connection set NW75, on request also as NW63(NW75) or NW50(NW75) available. Specify when ordering.

Connection set for	Art.no.	
Hose reel D1000 plus (Art.no. 6464) for connection to a blow-in machine Outlet	NW90	11949
	NW75	5845
	NW63	11771
	NW50	11772
Amplifier/vacuum station suitable for combination with a insulation blow-in machine	NW63/63>63	4935
	NW63/75>75	4934
	NW63/90>90	7870
Injection needle consisting of conveyor hose, reducing connector, hose clamps and sealing sponge	NW63>38	6104
	NW63>50	6206
	NW75>50	6103
	NW75>63	6124

Hose set for	Art.no.	
Open/Attic blowing	NW63, L=60m	5875
	NW75, L=60m	5871
Cavity wall insulation with nozzle non-abrasive/abrasive materials	NW50, L=40m	5873
	NW50, L=40m	6015
Open/Attic blowing and timber frame constructions	NW63/50, L=95m	5876
	NW75/63/50, L=95m	5872
Loose insulation materials (non-abrasive)	NW63	5711
	NW63/50	5712
	NW75/63	5246
	NW75>63/50	5737
	NW90/75/63	6765
Damp spraying	NW63, L=40m	5874



Timber frame constructions



For loose insulation materials (non-abrasive)



Connection amplifier/vacuum station



Connection injection needle

X-Floc connectors

Hose connectors

A hose connector is a short piece of stainless steel tubing used to connect injection and conveyor hoses. As a rule, the connector is inserted into the ends of the hoses and fixed with the help of hose clamps. In this way, for example, hoses can be extended in order to convey the insulation material over long distances to the injection point. Thanks to the use of thin-walled tube material, material blockages are practically excluded.



Ordering information

Type	Hose connection D	Length L	Art.no.
NW38	NW38 (1½")	approx. 60mm	788
NW50	NW50 (2")	approx. 70mm	235
NW63	NW63 (2½")	approx. 90mm	236
NW75	NW75 (3")	approx. 90mm	033
NW90	NW90 (3½")	approx. 90mm	1452



Rotary hose connectors

Injection and conveyor hoses have to meet various requirements. Regardless of the degree of stiffness, all hoses should be flexible so that they can be laid and rolled up flexibly. The accompanying characteristic that they twist, especially when covering large distances, is known to every injection technician.

The rotatable hose connector meets exactly this challenge. It enables easy handling of the injection hoses without looping or twisting the conveyor line.

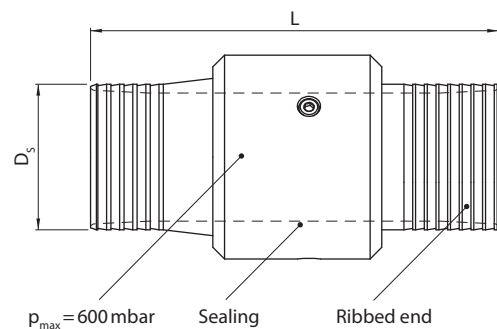
Furthermore, the connector is used with the hose reel and with rigid nozzles as well as with injection needles and lances. Made of high-quality aluminium, it is smooth-running and ensures smooth rotation of the injection tool.

The connector is thin-walled and very smooth, thus offering hardly any resistance and ensuring easily steerable material flows. Its ribbed ends ensure a firm hold of the hoses and a rubber seal guarantees optimal sealing. The rotary hose connector can be completely dismantled for cleaning.



Ordering information

Type	Hose connection D _s	Length L	Art.no.
SDV50	NW50 (2")	140mm	6522
SDV63	NW63 (2½")	140mm	6896
SDV75	NW63 (3")	140mm	4451



Hose clamps and glass fibre rods

Hose clamps for injection and conveyor hoses secure every hose connection quickly and reliably. The wide steel band protects the hose and ensures a firm hold. The hexagon and slotted screw allow quick clamping with a screwdriver, open-ended spanner or socket spanner.

Glass fibre rods are used to stiffen injection and conveyor hoses. They can be extended by means of a rotary hose connector with steel thread. They are attached to the hose by means of adhesive tape, for example, which is applied at a distance of approx. 1m.



Reducing connectors

Tubes with different diameters are combined with the help of reducing connectors. The connectors are turned from corrosion-resistant, high-strength aluminium. Thanks to the tapered sealing edge or the special shape, both a firm hold of the hoses and an optimum material flow are ensured. A possible static charge (due to material and environmental conditions) can be dissipated at specific points by means of an grounding hose.



Connectors and couplings

Y-pieces are used to distribute air and material flows to pipes and hoses. In insulation technology, for example, they ensure the coupling of the air from the booster/extractor station. Y-pieces are used to interconnect delivery and injection hoses for machine combinations. With quick couplings, safe connections can be made in a few simple steps.

Ordering information

Hose clamp		Art.no.
NW38 (1½")	for injection hose	1199
NW38 (1½")	for conveyor hose	512
NW50 (2")	for injection and conveyor hose	175
NW63 (2½")	for injection and conveyor hose	176
NW75 (3")	for injection and conveyor hose	177
NW75 (3")	Hinge pin clamp for injection and conveyor hose	3759
NW75 (3")	Quick release with hook for injection and conveyor hose	223
NW90 (3½")	for injection and conveyor hose	1923

Glass fibre rod		Art.no.
9mm	Length 1,5m	6544
9mm	Length 2,5m	6543
9mm	Length 4m	6542

Reducing connector		Art.no.
NW50>38 (2">1½")		1263
NW63>38 (2½">1½")		1970
NW63>50 (2½">2")		1264
NW75>50 (3">2")		1262
NW75>63 (3">2½")		1261
NW90>75 (3½">3")		1971
NW102>75 (4">3")		6642

Y-piece		Art.no.
NW63/63>63 (2½"/2½">2½")	Material plastic	1804
NW63/63>63 (2½"/2½">2½")		3955
NW75/63>75 (3"/2½">3")		2221
NW75/75>75 (3"/3">3")		456
NW90/75>90 (3½"/3">3½")		4523

Y-pipe		Art.no.
NW50>50 (2">2")		3429
NW63>63 (2½">2½")		1132

Quick coupling		Art.no.
NW38 (1½") Kn66		667
NW50 (2") Kn66		171
Kn66>Kn52	for reduction to NW50/NW38	668
Kn89>Kn66	for reduction to NW50/NW38	173
NW63 (2½") Kn89		170
NW75 (3") Kn89		168
NW75 (3") R2½	Machine adapter	172

X-Floc Material switches

Material switches

Material switches are used to distribute the insulation material to different conveying and injection lines. They enable the filling of building elements without interrupting the blow-in process. Two or more blow-in openings are prepared (fitted with hoses = pre-hosing) and operated consecutively. Switching is done either manually by handle or by remote control.

Fibre switch compact

The compact fibre switch is made of stainless steel and is used for the alternate operation of two hoses. A hand lever ensures quick and easy switching.

Main application:

- ▶ Uninterrupted filling of roof elements
- ▶ Blowing in wide fields equipped with two hoses

Ordering information

Type	Inlets	Outlets	Art.no.
NW63>NW63	NW63 (2½")	2xNW63 (2½")	2809
NW75>NW63	NW75 (3")	2xNW63 (2½")	2810
NW75>NW75	NW75 (3")	2xNW75 (3")	2794

Fibre switch compact

Example: NW75>NW63



Overview material switches

Fibre switch	compact			pneumatic		Cascade	Revolver	
Art.no.	2809	2810	2794	3846	5179	5063	6058	9414
Type	NW63>63	NW75>63	NW75>75	1-fold NW75	3-fold NW75	4-fold NW75	2>3 NW75	2>3 NW90
Inlets (E)	1xNW63	1xNW75	1xNW75	1xNW75	1xNW75	1xNW75	2xNW75	2xNW90
Outlets (A)	2xNW63	2xNW63	2xNW75	2xNW75	3xNW75	4xNW75	3xNW75	3xNW90
Interruption-free filling of elements	●	●	●	●	●	●	●	●
Switching with 2+ tubes	●	●	●	●	●	●	●	●
Changeover blowing<>sucking	○	○	○	●	●	●	●	●
Switching banks with 4+ outputs (series connection)	○	○	○	●	●	●	○	○
Dimensions (mm)	220	220	220	480x275x130*	480x275x130*	500x480x600*	ø 310	ø 362
Weight (kg)	1,5	1,75	1,8	8,3	8,3	35	4,6	4,6
Switching per	Handle	Handle	Handle	Control	Control	Control	Handle	Handle

All values are approximate *LxWxH ● yes ○ no/no details

Pneumatic fibre switches

Pneumatic fibre switches and cascades enable uninterrupted switching between several hoses when conveying loose insulation materials, free-flowing bulk materials and air flows.

They are also used to supply several filling stations from one insulation blow-in machine and to switch between injection and extraction. With the help of a pneumatic fibre switch, the hose system can also be depressurised in a flash.

Individual solutions are available for controlling the pneumatic switch: In combination with a radio remote control, the fibre switch can be conveniently remote-controlled. It can also be connected directly to the insulation blow-in machine via an auxiliary device box and switched synchronously with it. Furthermore, a combination with a programmable control system (PLC) is possible.

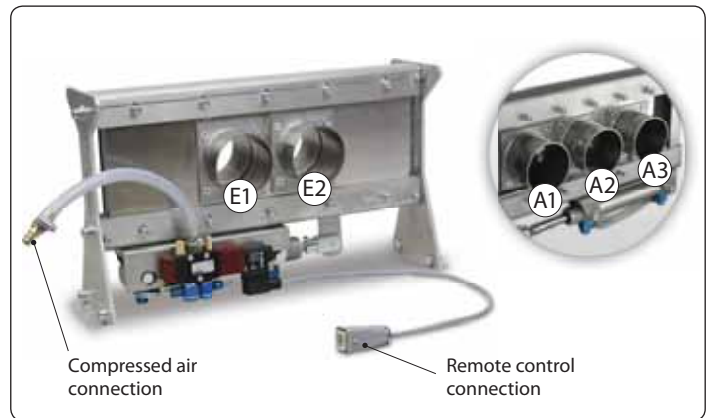
Main application:

- ▶ Uninterrupted filling of wall and roof elements
- ▶ Supply of several filling stations from one blow-in machine
- ▶ Switching between blow-in and suction operation
- ▶ Quickly depressurising the hose system

Ordering information

Type	Inlets	Outlets	Art.no.
1>2 NW75	1xNW75 (3")	2xNW75 (3")	3846
2>3 NW75	2xNW75 (3")	3xNW75 (3")	5179
1>4 NW75	1xNW75 (3")	4xNW75 (3")	5063

Accessories switch control	Art.no.
Radio remote control FFB500	6708
Remote control KFB22	8229
Limit switch for connection to SPS	4022
Master-/slave cable for control via EM	4341



Pneumatic fibre switch cascade with 4 outlets NW75 (3")



Radio remote control FFB500



Remote control KFB22

X-Floc Material switches

Revolver fibre switches

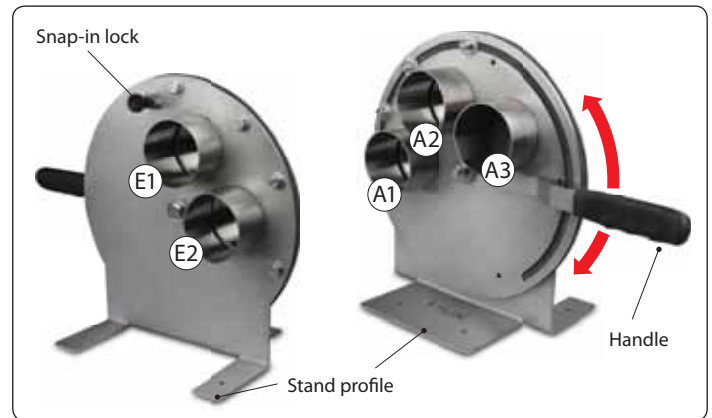
The NW75 (3") or NW90 (3½") revolver fibre switches are equipped with two Inlets and three outlets. With their help, the material flow can be distributed to several hoses without having to switch off the insulation blow-in machine. Large components and wide fields or cavities can thus be filled quickly.

The positions of the Inlets and outlets can be easily adjusted with the help of the handle and a latch. This makes it easy to switch between blowing and suction operation - another area of application for the revolver fibre switch. Even blockages in the conveyor line can be conveniently removed in suction mode.

Main application:

- ▶ Uninterrupted filling of roof elements
- ▶ Switches in wide fields or cavities, which are equipped with two to three hoses
- ▶ Rapid changeover from blow-in and suction operation in conjunction with an amplifier/vacuum station with suction barrel

The revolver fibre switch is made of stainless steel. Thanks to its stand profile, it can be used flexibly. In the X-Floc insulation blow-in mobile, it is practically part of the basic equipment - permanently installed.

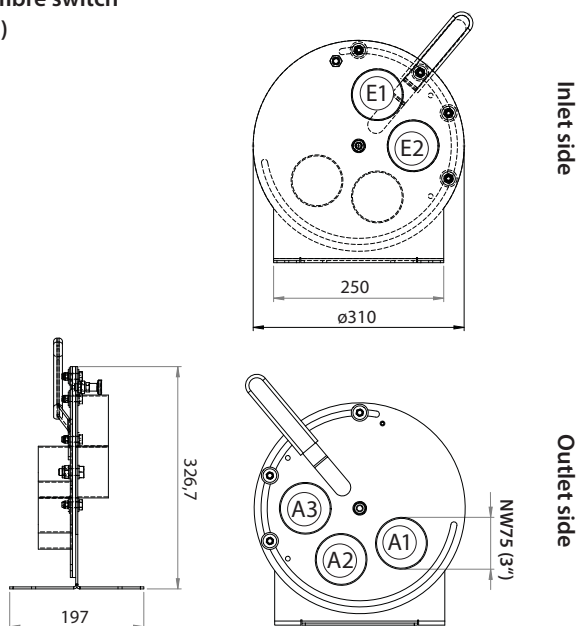


Ordering information

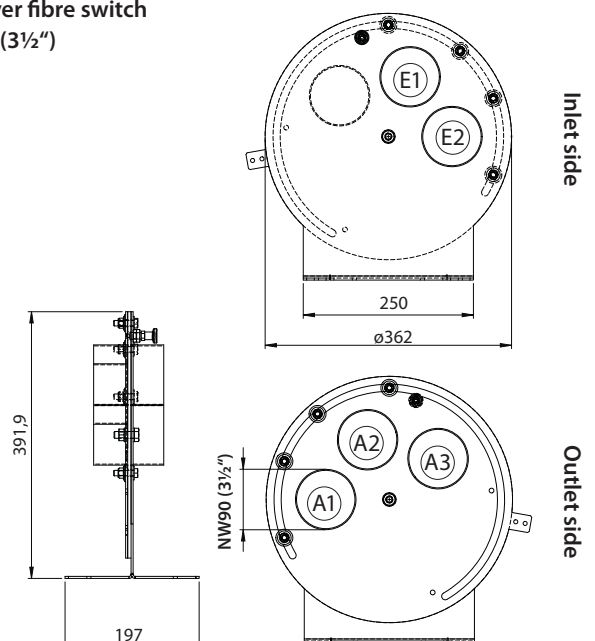
Type	Inlets	Outlets	Art.no.
2>3 NW75	2xNW75 (3")	3xNW75 (3")	6058
2>3 NW90	2xNW90 (3½")	3xNW90 (3½")	9414

Dimensions

Revolver fibre switch
NW75 (3")

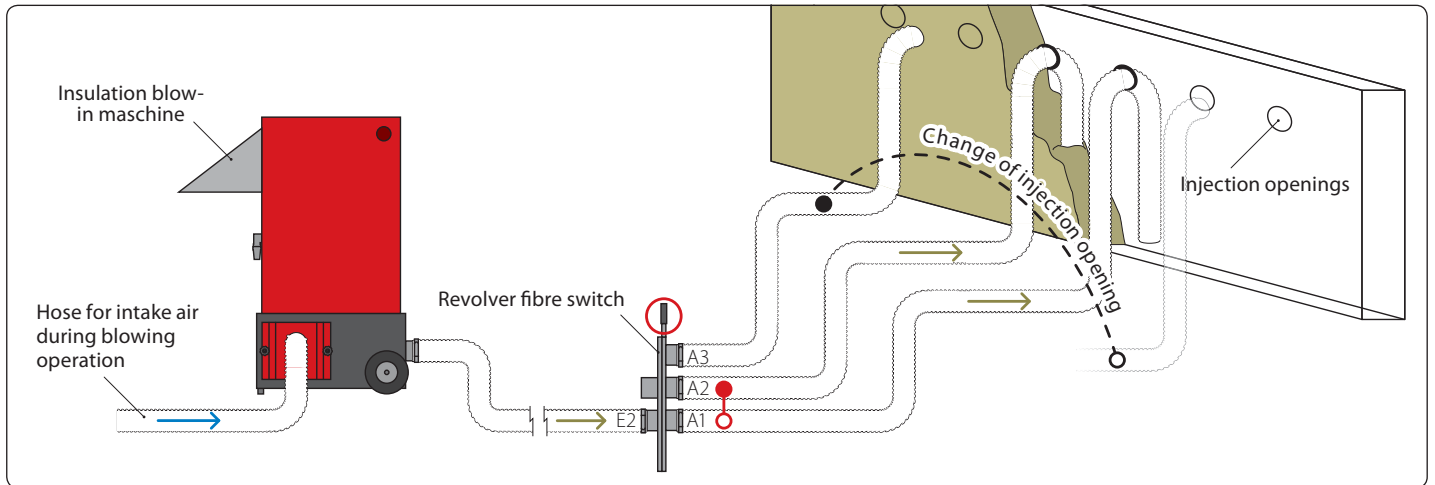


Revolver fibre switch
NW90 (3½")

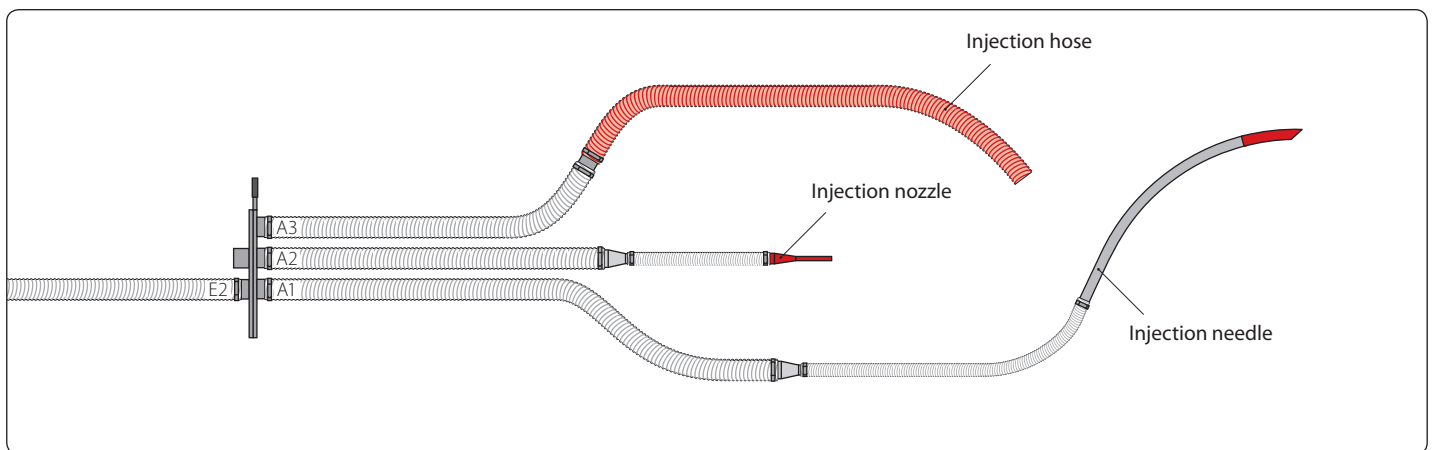


Connection diagrams fibre switches

Connection diagram: Supply hoses and switching between hose lines



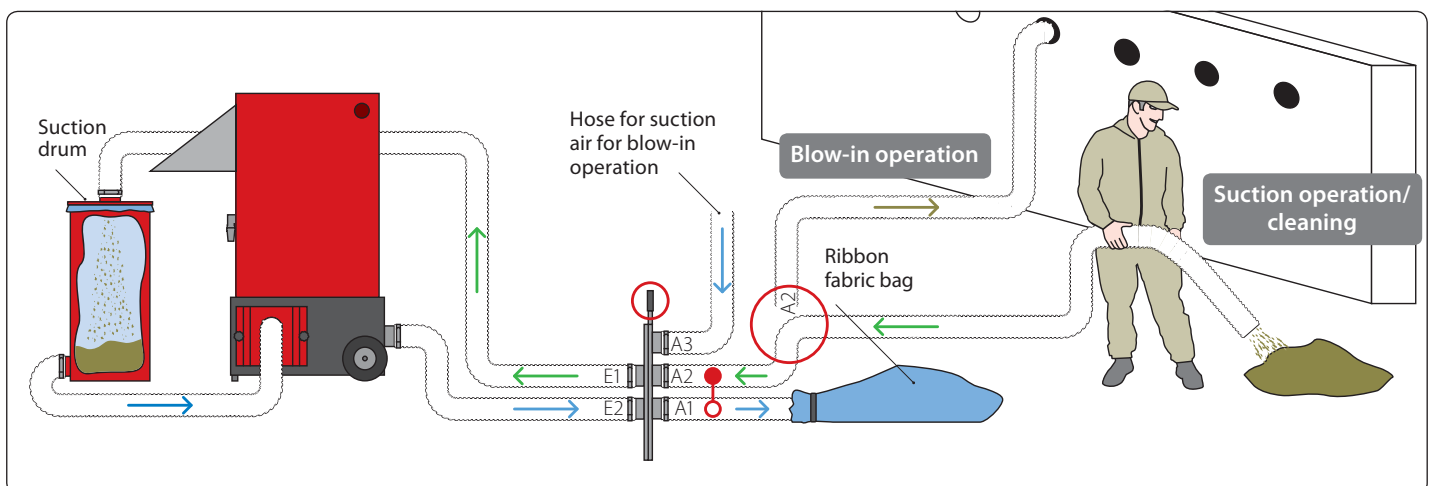
Connection diagram: Flexible change of injection tools



Connection diagram: Injection or suction operation

Legend:

- Air
- Blow-in material
- ← Suck material



Equipment and accessories

Machine accessories

X-Floc blow-in machines, amplifier/vacuum stations and other products can be operated and combined in a variety of ways. Detailed information on radio remote controls, cable control, power generators as well as bag supports, suction drums and other machine accessories can be found in the

▶ Product brochure **Machine accessories**



Nozzles and blowing accessories

For each insulation blow-in principle and each application, tools and/or accessories are necessary for insertion, sealing and venting. Detailed information about these accessories and everything about tools such as injection nozzles, injection needles/lances as well as hole saws and sealing parts can be found in the

▶ Product brochure **Nozzles and blowing accessories**



Hoses and connectors

Hoses and connectors are an essential part of the blow-in equipment because they can be used to create all conceivable transport lines and circuits. Detailed information on conveying and injection hoses as well as hose connectors, hose clamps, Y-pieces and fibre switches can be found in the

▶ Product brochure **Hoses and connectors**



Measurement devices

X-Floc maintains close cooperation with university research and development institutions. This results in an extensive product range in the field of measuring and testing technology for blow-in technicians, insulation manufacturers and material testing institutes, and many more. You can find detailed information in the

▶ Product brochure **Measurement devices**



Damp spraying

In the damp spray process, thermal insulation material is moistened with water after exiting the hose. Detailed information on spray heads and pipes for the various applications as well as on high-pressure pumps such as membrane or piston pumps and on wall scrubber for smooth surfaces can be found in the

▶ Product brochure **Damp spraying**



Industrial safety and respiratory protection

The special work suit with hood protects the blow-in professional from contact with skin-irritating insulation materials. Detailed information on the X-Floc range of workwear, dust masks, professional respirators with legal approval as well as air filters, rechargeable batteries and other accessories can be found in the

▶ Product brochure **Industrial safety and respiratory protection**



X-Floc Dämmtechnik-Maschinen GmbH

Rosine-Starz-Straße 12 · 71272 Renningen · Germany

Telefon: +49-7159-80470-30 · Fax: -40

E-Mail: info@x-floc.com · www.x-floc.com



Your X-Floc representative