

Exhibition models

For Demonstration of the Blowing Injection Process



- Impressive with big viewing glass
- House advertising possible as label
- Dust-free and quiet operating
- Simplest use
- Convenient for cellulose and wood fibre and free flowing bulk material

Exhibition model EM3XX and M95 Zellofant, Prod. no. 3020

Dimensions (L×W×H): 112×86×118 cm

Recommended accessories:

- ▶ Short hopper top piece for M95 Zellofant, Prod. no. 4812
- ▶ KFB control cable L=5 m , Prod. no. 1119

Exhibition model compact M99 Minifant and M95 Zellofant, Prod. no. 3132

Dimensions (L×W×H): 75×58×77 cm

Recommended accessories:

- ▶ For M95 Zellofant connection set required, Prod. no. 6098
 - Adapter plate, Prod. no. 3135
 - 0,5 m conveyor hose NW75, Prod. no. 284
 - Reducer tube PE NW75>63 short, Prod. no. 3768
 - 2 hose clamps NW75, Prod. no. 177
- ▶ Short hopper top piece for M95 Zellofant, Prod. no. 4812
- ▶ KFB control cable L=5 m , Prod. no. 1119

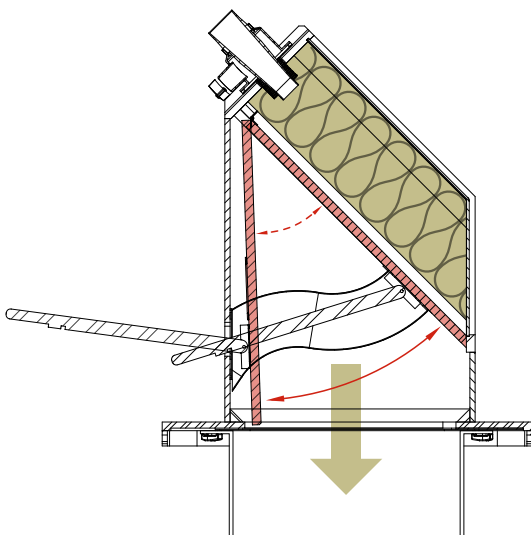


Exhibition model EM3XX and M95 Zellofant



Exhibition model compact with adapter plate for M95 Zellofant

Function drawing



Exhibition model from the backside